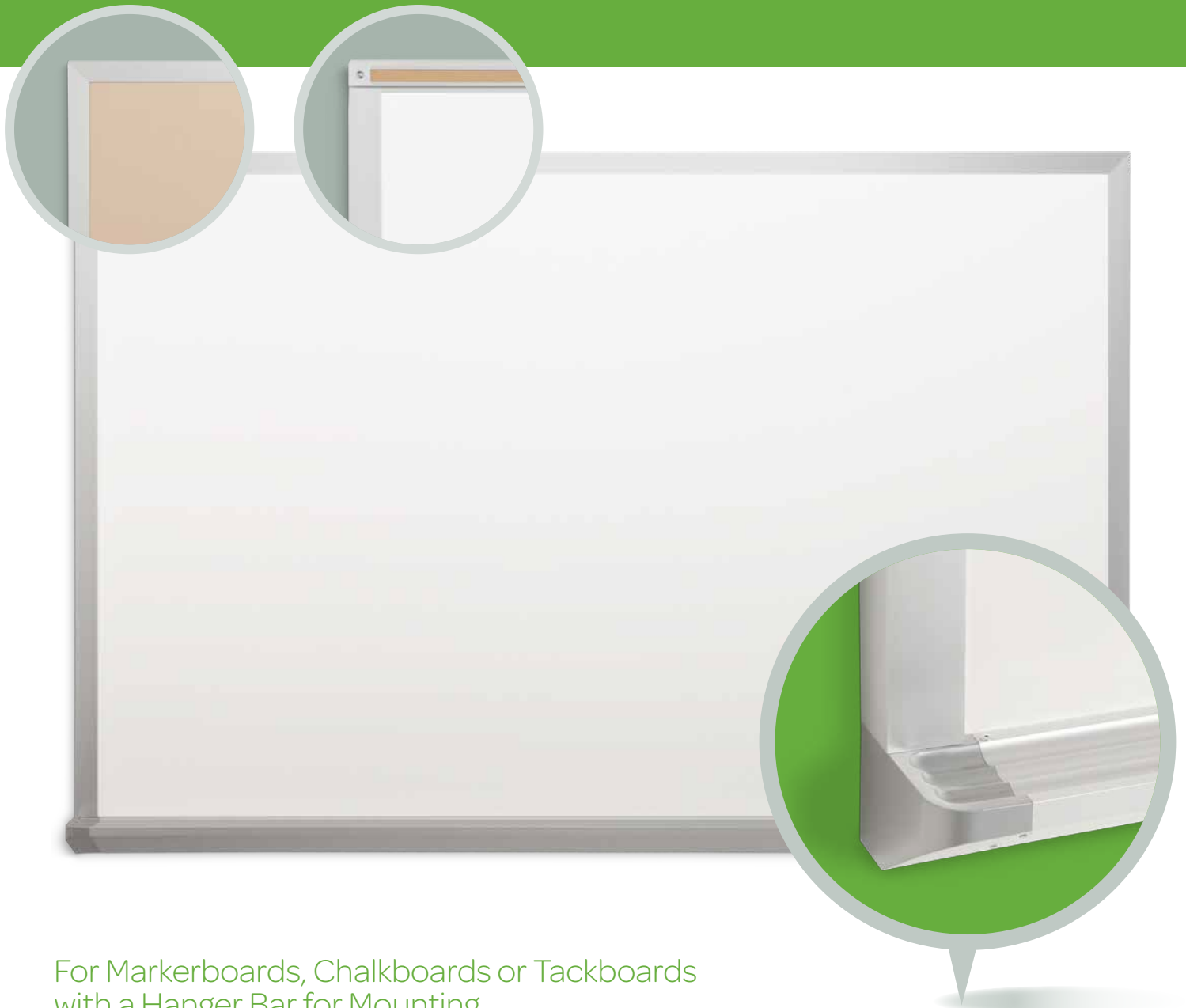


Boards: Hanger Bar Trim System [HTS]



For Markerboards, Chalkboards or Tackboards with a Hanger Bar for Mounting

- Porcelain-on-steel writing surfaces with a lifetime warranty.
- All extrusions are manufactured with high-quality aluminum alloy to exacting specifications.
- Heavy-duty aluminum extrusions come standard in clear satin anodized. Also available in optional dark bronze anodized or a variety of powder coated finishes.
- Concealed hanger bar for mounting.
- Full length extruded aluminum box tray with cast aluminum end closures.

Suggested Specifications

PART 1: *general*

1.1 SECTION INCLUDES

- A. Porcelain-on-Steel Markerboards.
- B. Porcelain-on-Steel Chalkboards.
- C. Colored Cork Tackboards.
- D. Visual Display Board Accessories.

1.2 RELATED SECTIONS

- A. Section 06100 – Wood or Steel Blocking.
- B. Section 09000 – Gypsum Wall Board.
- C. Section 09720 – Vinyl Wall Coverings.
- D. Section 09900 – Paints and Coatings.

1.3 REFERENCES

- A. ASTM B221 – Standard Specification for Aluminum and Aluminum-Alloy Extruded Bars, Rods, Wire, Shapes, and Tubes.
- B. ASTM E84 – Test Method for Surface Burning and Characteristics of Building Materials.
- C. ASTM C540 – Gloss Test for Porcelain Enamel Steel (Porcelain Enamel Institute PEI-501).

1.4 SUBMITTALS

- A. Submit products and samples under provisions of Section 01300.
- B. Product Data: Provide technical data for products specified. Include Material Safety Data Sheets, when applicable.
- C. Shop Drawings: Provide shop drawings for each type of visual display board specified including section details indicating trim, face, core and backing materials, dimensions, joint locations and special anchor details.
- D. Color Samples: Submit set of color chips displaying manufacturer's full range of colors and finishes.
- E. Product Samples: Submit samples not less than twelve inches square and framed on two adjacent sides, to illustrate materials, finish, color, and configuration of each type of visual display board required.
- F. Care and Maintenance Data: Provide data on cleaning requirements, stain removal, and recommended maintenance precautions.

1.5 DELIVERY, STORAGE AND HANDLING

- A. Comply with manufacturer's instructions for handling and storage of Visual Display Boards.

1.6 PROJECT CONDITIONS

- A. Field measure prior to fabrication to ensure proper fit.
- B. General contractor to maintain proper climate before, during and after installation.

1.7 WARRANTY

- A. Submit manufacturer's "Life of Building" warranty, stating that under normal usage and maintenance, and when installed in accordance with manufacturer's instructions and recommendations, Porcelain-on-Steel Markerboards and Chalkboards are guaranteed for the life of the building.
- B. Warranty shall cover replacement of defective Porcelain-on-Steel Markerboards and Chalkboards due to discoloration, excessive fading of color, crazing, cracking or flaking. Warranty does not cover the cost of removal or reinstallation.

PART 2: *products*

2.1 MANUFACTURERS

- A. Provide visual display boards as manufactured by Platinum Visual Systems™, Corona, California. Tel.: (800)498-2990 Fax: (951)817-9900. Email: info@pvsusa.com. Website: www.pvsusa.com.
- B. Substitutions: See Section 01600 – Product Requirements.

2.2 MARKERBOARD AND CHALKBOARD MATERIALS

- A. Steel Face Sheets: Writing surface will be Writanium® 28 gauge steel face with porcelain enamel finish fused to the steel sheet using a continuous coil process.
 - 1. Markerboard and Chalkboard surface shall be fused at a temperature of 1450° and 1200°, respectively.
 - 2. The gloss of the writing surface will not increase more than three units when subjected to wearability tests specified in testing procedures for 30 hours.

[HTS SERIES]

- B. Core Material: 1/2" particleboard.
- C. Backing Material: .005" aluminum backing sheet.
- D. Metal Trim and Accessories: 6063 aluminum alloy with a T5 temper.
- E. Adhesive: As recommended by manufacturer for project conditions.

2.3 PORCELAIN-ON-STEEL MARKERBOARDS AND CHALKBOARDS

- A. Provide Markerboards and Chalkboards for project from manufacturer's HTS Series.
 - 1. Metal trim and accessories: HTS Series aluminum extrusions with clear satin anodized finish.
 - a. Chalktray CR330: Standard continuous box chalktray with ribbed section and molded aluminum end closures.
 - b. Map Rail MR411: Standard 1" high continuous rail with colored cork insert as follows:
 - 1) End stops: One pair per Map Rail.
 - 2) Map hooks: One every 2' of Map Rail.
 - 3) Roller brackets: One pair per Map Rail.
 - 4) Flag holder: One per room.
 - c. Frame CH245: Standard channel frame with 1-1/2" face and integrated hanger bar system.
 - d. Hanger Bar HB230: Standard hanger bar for concealed mounting to wall.
 - 2. Size: As shown on drawings.
 - 3. Color: As selected from manufacturer's standard colors.

2.4 COLORED CORK TACKBOARD MATERIALS

- A. Face Sheet: Colored cork surface will be 1/4" resilient homogenous tackable linoleum surface consisting of linseed oil, granulated cork, rosin binders and dry pigments calendared onto natural burlap backing. Color shall extend through thickness of material and be self-healing.
- B. Core Material: 1/4" medium density fiberboard.
- C. Metal Trim: 6063 aluminum alloy with T5 temper.
- D. Adhesive: As recommended by manufacturer for project conditions.

2.5 COLORED CORK TACKBOARDS

- A. Provide Tackboards for project from manufacturer's HTS Series.
 - 1. Metal trim and accessories: HTS Series aluminum extrusions with clear satin anodized finish.
 - a. Frame CH245: Standard channel frame with 1 1/2" face and integrated hanger bar system.
 - b. Hanger Bar HB230: Standard hanger bar for concealed mounting to wall.
 - 2. Size: As shown on drawings.
 - 3. Color: As selected from manufacturer's standard colors.

2.6 FABRICATION

- A. Laminate facing sheet and backing sheet to core material under pressure, using manufacturer's recommended adhesive.
- B. Provide factory-assembled visual display boards, except where sizes demand partial field assembly.
- C. Assemble units in one piece without joints, wherever possible. Where required dimensions exceed maximum panel size available, provide two or more pieces of equal length, as indicated on approved shop drawings. Assemble to verify fit at factory, then disassemble for delivery and final assembly at project site.

PART 3: *execution*

3.1 EXAMINATION

- A. Verify that substrates are properly prepared to receive visual display boards. Do not begin installation until unsatisfactory conditions have been corrected.

3.2 INSTALLATION

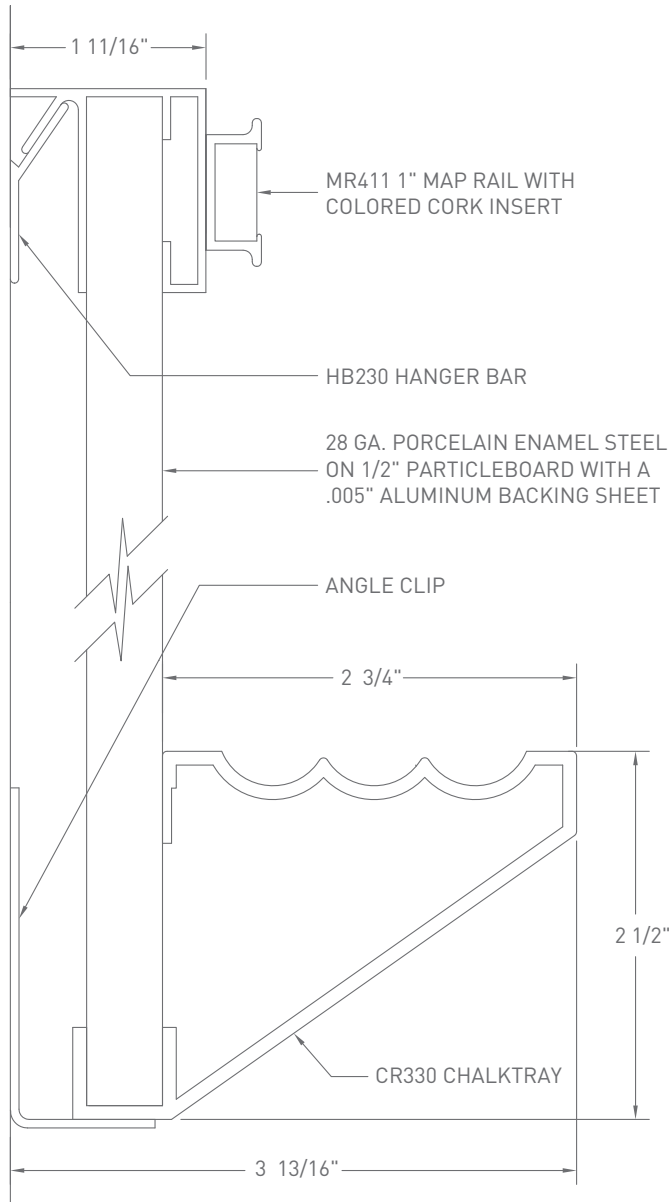
- A. Comply with manufacturer's installation instructions.
- B. Where visual display boards must be partly assembled at project site, use factory-supplied H-bar to maintain proper alignment.
- C. Install visual display boards level and plumb, keeping perimeter trim aligned in accordance with manufacturer's recommendations.

3.3 ADJUSTING AND CLEANING

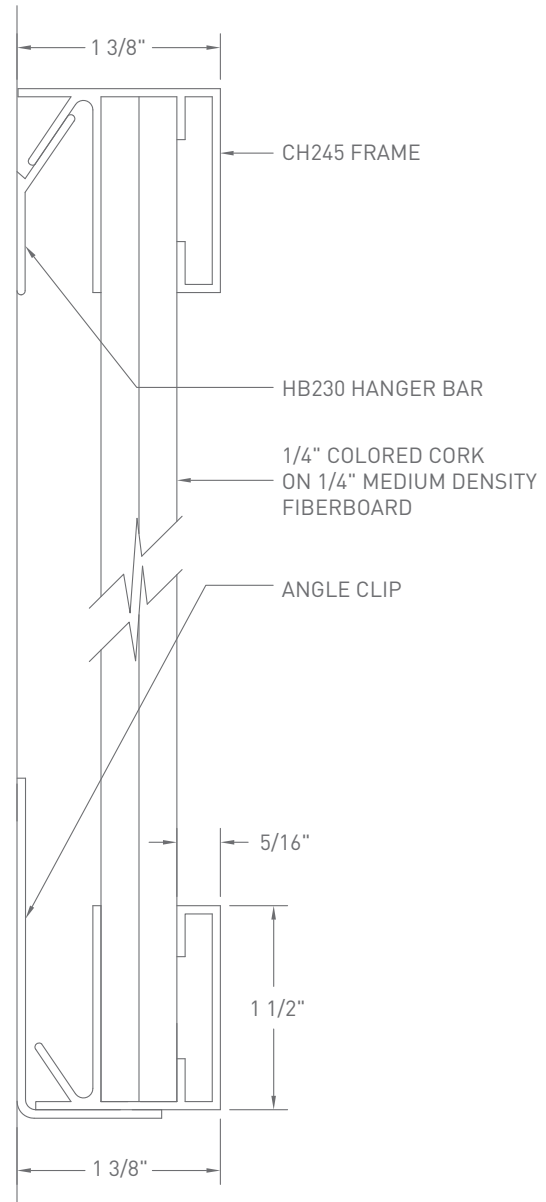
- A. Verify that all accessories are installed as required for each unit.
- B. Upon completion of installation, clean surfaces and trim in accordance with manufacturer's recommendations, leaving all materials ready for use.

HTS: Specifications

MARKERBOARD/CHALKBOARD



TACKBOARD



PLATINUM
LET'S CREATE TOGETHER.™

1451 E. Sixth Street, Corona, CA 92879
800 498 2990 | 951 817 2200 | FAX 951 817 9900
www.pvsusa.com | info@pvsusa.com