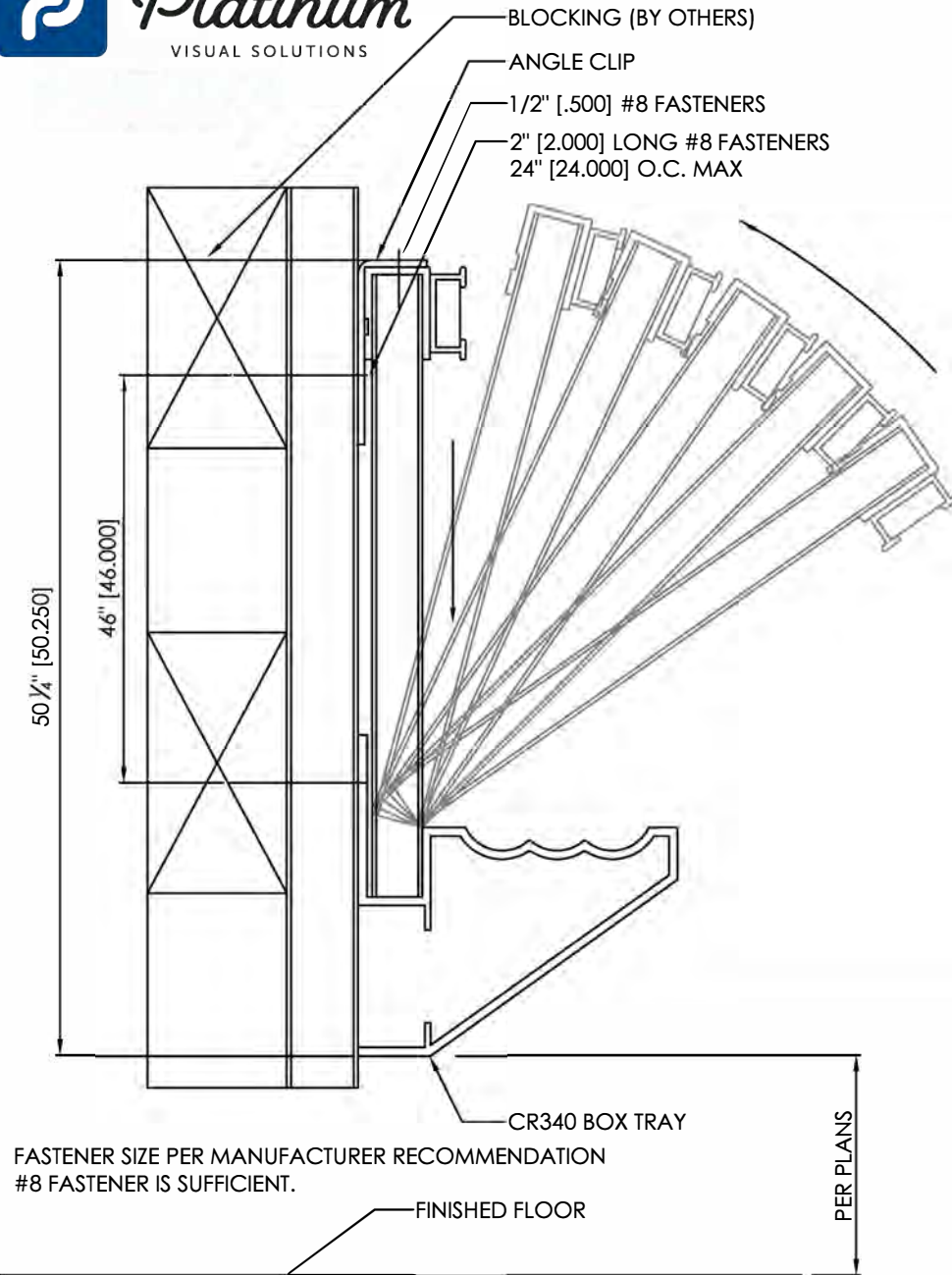




Platinum
VISUAL SOLUTIONS



BTS / INSTALLATION INSTRUCTIONS: CHALK/MARKERBOARD INSTALLATION

BTS DROP IN TRAY SYSTEM / INSTALLATION INSTRUCTIONS:

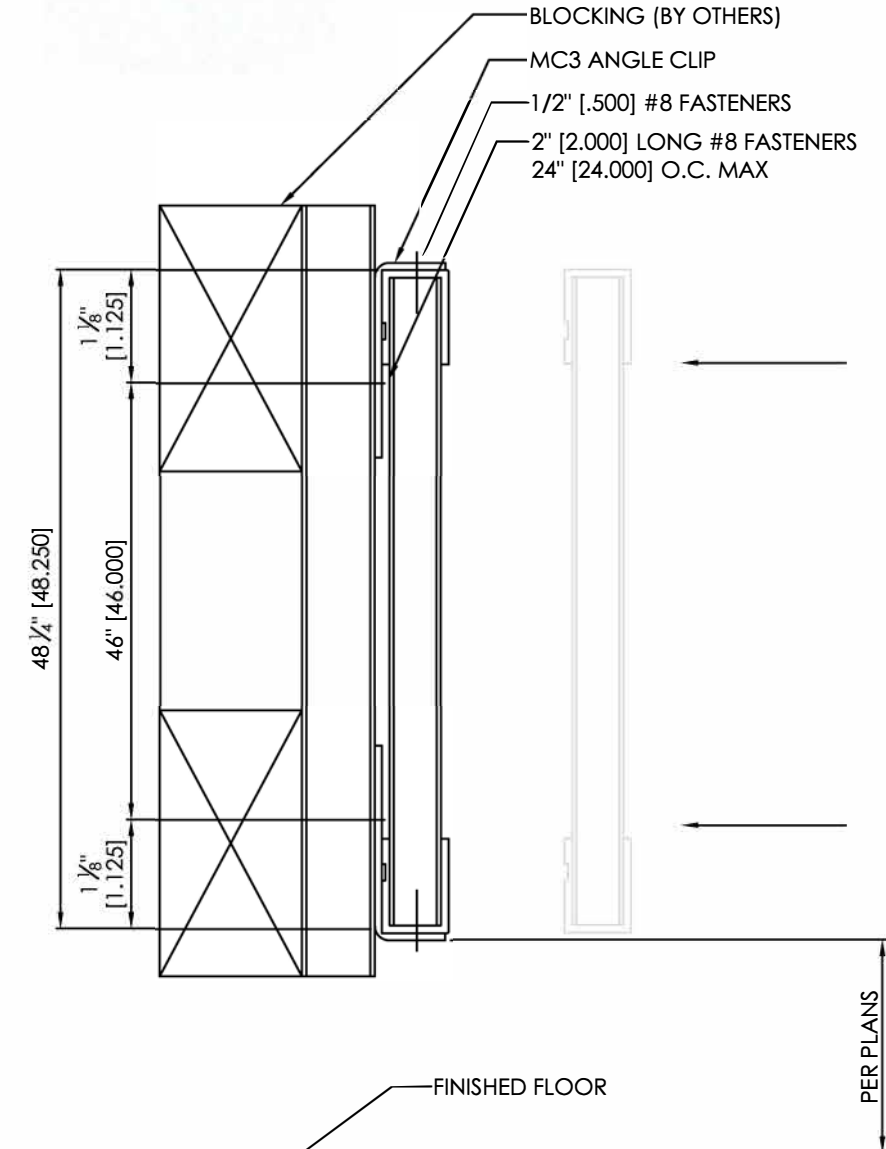
1. DISTRIBUTE BOARDS TO THEIR SPECIFIED LOCATIONS.
2. DETERMINE LOCATION AND MOUNTING HEIGHT ABOVE FINISHED FLOOR.
3. LOCATE SPECIFIED AREA ON WALL FOR BOARD LOCATION. DETERMINE LOCATION AND MOUNTING HEIGHT ABOVE FINISH FLOOR. LOCATE SPECIFIED AREA IN WALL FOR BOARD LOCATION. ESTABLISH HORIZONTAL LOCATION OF BOARD. USING EITHER SIDE OF BOARD LOCATION AS A STARTING POINT (RIGHT OR LEFT), MEASURE UP FROM FLOOR IN ACCORDANCE WITH SPECIFIED MOUNTING HEIGHT AND MARK WALL. (THIS IS DONE ONLY TO GAIN A ROUGH ESTIMATE MOUNT HEIGHT. MEASURE DOWN FROM CEILING TO THE SAME POINT AND MARK WALL TO ESTABLISH AN ACCURATE MOUNT HEIGHT. (THIS STEP IS NECESSARY AS FLOOR IS NOT ALWAYS LEVEL. WITH AN ACCURATE STARTING POINT ESTABLISHED, MEASURE UP 3 1/2" AND MARK WALL. THIS MARK WILL REPRESENT LANDMARK FOR LEVEL LINE TO BE USED AS A GUIDE DURING INSTALLATION OF CR340 MARKER/CHALKTRAY. WITH BOARD WIDTH IN MIND, REPEAT PREVIOUS STEP ON OPPOSITE SIDE OF BOARD LOCATION. SNAP CHALK LINE FROM BOTH POINTS ESTABLISHED AND CHECK LINE FOR LEVEL. IF LINE IS LEVEL THA YOU MAY PROCEED.
4. INSTALLING THE MARKER/CHALK TRAY TO THE WALL. USING A " STUD FINDER" OR OTHER AVAILABLE MEANS LOCATE STUDS ALONG LEVEL LINE. MARK LOCATION OF STUDS ON LEVEL LINE. MAKE MARKS LONG ENOUGH AS YOU USE THESE MARKS VISUALLY TO ACCURAYELY TRANSFER LOCATIONS TO TRAY. PLACE THE CR340 MARKER/CHALK TRAY ON WALL AND TRANSFER ALL STUD LOCATIONS TO BACK LEG OF TRAY. REMOVE TRAY FROM WALL AND DRILL A 3/8" [.1875] Ø HOLE AT EACH LOCATION. COUNTERSINK THE HOLES JUST DRILLED. THIS STEP IS NECESSARY TO ENSURE ANY AND ALL FASTENERS DO NOT INTERFERE WITH BOARD WHEN PLACE IN THE TRAY. PLACE TRAY BACK ON WALL, MOUNT SECURELY TO STUDS ENSURING AT LEAST 1" STUD PENETRATION.
5. PREPARE BOARD FOR USE: BLOW OFF ANY DUST OR DEBRIS FROM INSTALLATION AND CLEAN SURFACE OR MARKERBOARD AS NEEDED TO A READY FOR USE CONDITION.

(PAGE 1 OF 10)

DTS / INSTALLATION INSTRUCTIONS: TACKBOARD INSTALLATION

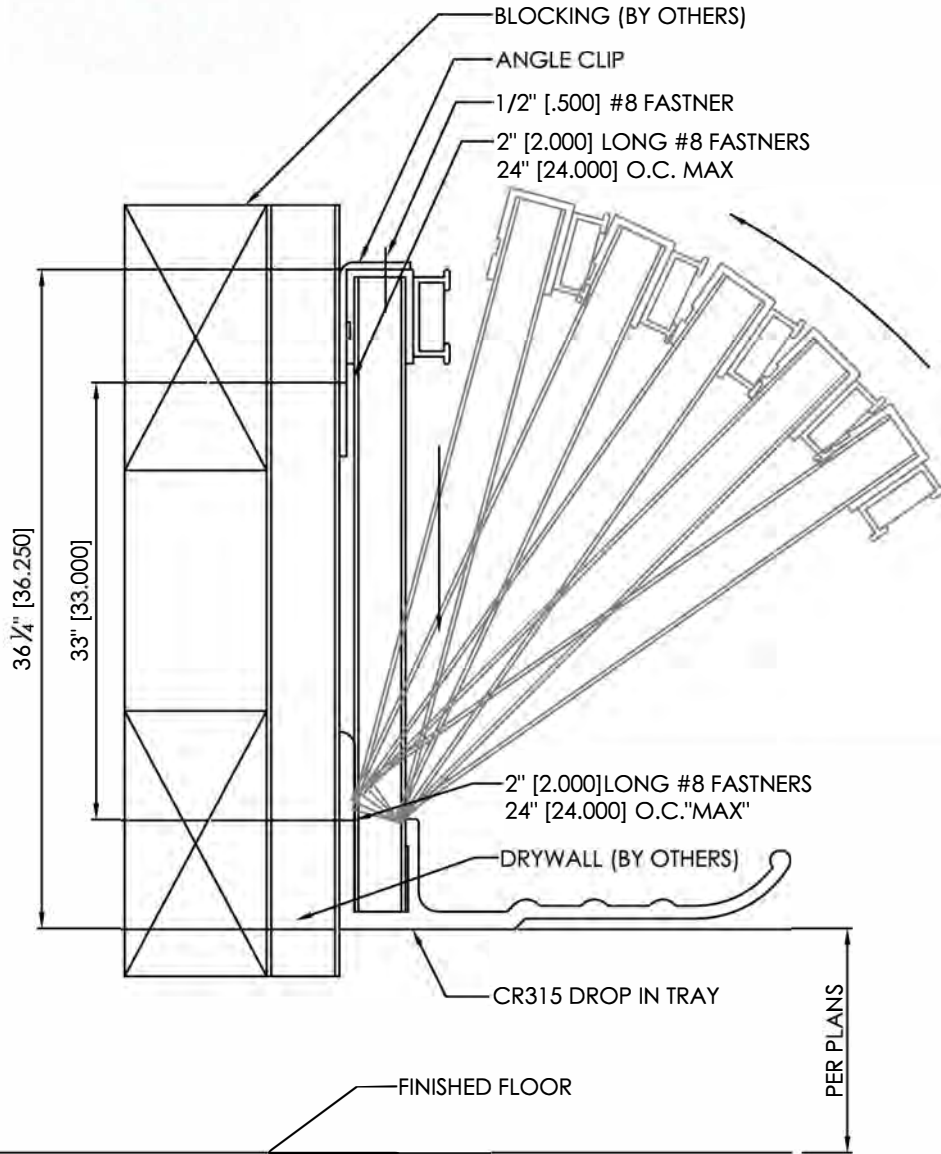
DTS INSTALLATION INSTRUCTIONS:

1. DISTRIBUTE BOARDS TO THEIR SPECIFIED LOCATIONS.
2. DETERMINE LOCATION AND MOUNTING HEIGHT ABOVE FINISHED FLOOR.
3. LOCATE SPECIFIED AREA ON WALL FOR BOARD LOCATION. DETERMINE LOCATION AND MOUNTING HEIGHT ABOVE FINISHED FLOOR. LOCATE SPECIFIED AREA ON WALL FOR BOARD LOCATION. ESTABLISH HORIZONTAL LOCATION OF BOARD. USING EITHER SIDE OF BOARD LOCATION AS A STARTING POINT (RIGHT OR LEFT), MEASURE UP FROM FLOOR IN ACCORDANCE WITH SPECIFIED MOUNTING HEIGHT AND MARK WALL. (THIS IS DONE ONLY TO GAIN A ROUGH ESTIMATE MOUNT HEIGHT. MEASURE DOWN FROM CEILING TO THE SAME POINT AND MARK WALL TO ESTABLISH AN ACCURATE MOUNTING HEIGHT. (THIS STEP IS NECESSARY AS FLOOR IS NOT ALWAYS LEVEL. WITH ACCURATE STARTING POINT ESTABLISHED, MEASURE UP 3 1/2" AND MARK WALL. THIS MARK WILL REPRESENT LANDMARK FOR LEVEL LINE TO BE USED AS A GUIDE DURING INSTALLATION OF L-CLIP. WITH BOARD WIDTH IN MIND, REPEAT PREVIOUS STEP ON OPPOSITE SIDE OF BOARD LOCATION. SNAP CHALK LINE FROM BOTH POINTS ESTABLISHED AND CHECK LINE FOR LEVEL. IF LINE IS LEVEL THAN YOU MAY PROCEED.
4. INSTALLING TOP L-CLIPS TO THE WALL. USING A "STUD FINDER" OR OTHER AVAILABLE MEANS, LOCATE STUDS ALONG LEVEL LINE. MARK LOCATION OF STUDS ON LEVEL LINE. MAKE MARKS LONG ENOUGH AS YOU WILL USE THESE MARKS VISUALLY TO ACCURATELY TRANSFER LOCATIONS TO L-CLIP. PLACE THE L-CLIP ON WALL AND TRANSFER ALL STUD LOCATIONS TO THE REST OF L-CLIPS. PLACE L-CLIP BACK ON WALL, MOUNT SECURELY TO STUDS ENSURING AT LEAST 1" PENETRATION THROUGH BACKING.
5. PREPARE BOARD FOR USE: BLOW OFF ANY DUST OR DEBRIS FROM INSTALLATION AND CLEAN SURFACE OF TACKBOARD AS NEEDED TO A READY FOR USE CONDITION.



FASTENER SIZE PER MANUFACTURER RECOMMENDATION
#8 FASTENER IS SUFFICIENT.

(PAGE 2 OF 10)



FASTENER SIZE PER MANUFACTURER RECOMMENDATION
#8 FASTENER IS SUFFICIENT.

DTS / INSTALLATION INSTRUCTIONS: CHALK/MARKERBOARD INSTALLATION

DTS DROP IN TRAY SYSTEM / INSTALLATION INSTRUCTIONS:

1. DISTRIBUTE BOARDS TO THEIR SPECIFIED LOCATIONS.
2. DETERMINE LOCATION AND MOUNTING HEIGHT ABOVE FINISH FLOOR.
3. LOCATE SPECIFIED AREA ON WALL FOR BOARD LOCATION.
4. USING EITHER SIDE OF BOARDS STARTING POINT, MEASURE UP FROM FLOOR APPROXIMATELY 36" AND MARK WALL IN ACCORDANCE WITH SPECIFIED MOUNTING HEIGHT. THIS IS DONE ONLY TO GAIN A ROUGH ESTIMATE MOUNTING HEIGHT.
5. MEASURE DOWN FROM CEILING TO THE SAME POINT AND ESTABLISH AN ACCURATE MOUNTING HEIGHT, THIS STEP IS NECESSARY AS FLOOR IS NOT ALWAYS LEVEL.
6. WITH BOARD WIDTH IN MIND, REPEAT PREVIOUS STEP ON OPPOSITE SIDE OF BOARD LOCATION. (NOTE: IT IS WISE TO DEDUCT 1" WHEN PERFORMING THIS FUNCTION THIS IS DONE TO ALLOW ALL INSTALLATION MARKING ON WALL TO BE HIDDEN AFTER INSTALLATION IS COMPLETE.
7. SNAP CHALKLINE FROM BOTH POINTS ESTABLISHED AND CHECK LINE FOR LEVEL.
8. USING A "STUD FINDER" OR OTHER AVAILABLE MEANS, LOCATE STUDS ALONG LEVEL LINE. A) USING A PENCIL OR MARKING DEVICE, MARK LOCATION OF STUDS ON LEVEL LINE MAKE MARKS LONG ENOUGH AS YOU WILL USE THESE MARKS VISUALLY TO ACCURATELY TRANSFER LOCATIONS TO TRAY. B) PLACE CR315 CHALKTRAY ON WALL AND TRANSFER ALL STUDS LOCATIONS TO BACK LEG OF TRAY. C) REMOVE TRAY FROM WALL AND DRILL $\frac{3}{16}"$ Ø DIAMETER HOLE AT EACH LOCATION. D) COUNTERSINK HOLES JUST DRILLED, THIS STEP IS NECESSARY TO ENSURE ANY AND ALL FASTENERS DO NOT INTERFERE WITH BOARD WHEN PLACE INTO TRAY. E) PLACE TRAY BACK ON WALL, FASTEN SECURELY TO STUDS USING THE FASTENERS PROVIDED BY THE MANUFACTURER ENSURING AT LEAST 1" PENETRATION.
9. MOUNTING CLIPS LOCATION A) MEASURE HEIGHT OF BOARD B) DEDUCT $2\frac{1}{2}"$ C) STARTING FROM JUST INSIDE EITHER SIDE OF TRAY ALREADY MOUNTED TO WALL, USE DIMENSION JUST ESTABLISHED AND MEASURE UP FROM BACK EDGE OF TRAY AND MAKE MARK ON WALL. (THIS MARK WILL LATER REPRESENT LOCATION OF MOUNTING CLIP). D) REPEAT ABOVE STEP ON OPPOSITE SIDE OF TRAY. E) USING THESE TWO POINTS, SNAP A LINE FROM END TO END. F) ENSURING AT LEAST 1" STUD PENETRATION, ATTACH SUPPLIED MOUNTING CLIPS TO WALL USING LEVEL LINE MADE IN PREVIOUS STEP. F) REPEAT STEP ABOVE FOR ALL STUDS.

(PAGE 3 OF 10)

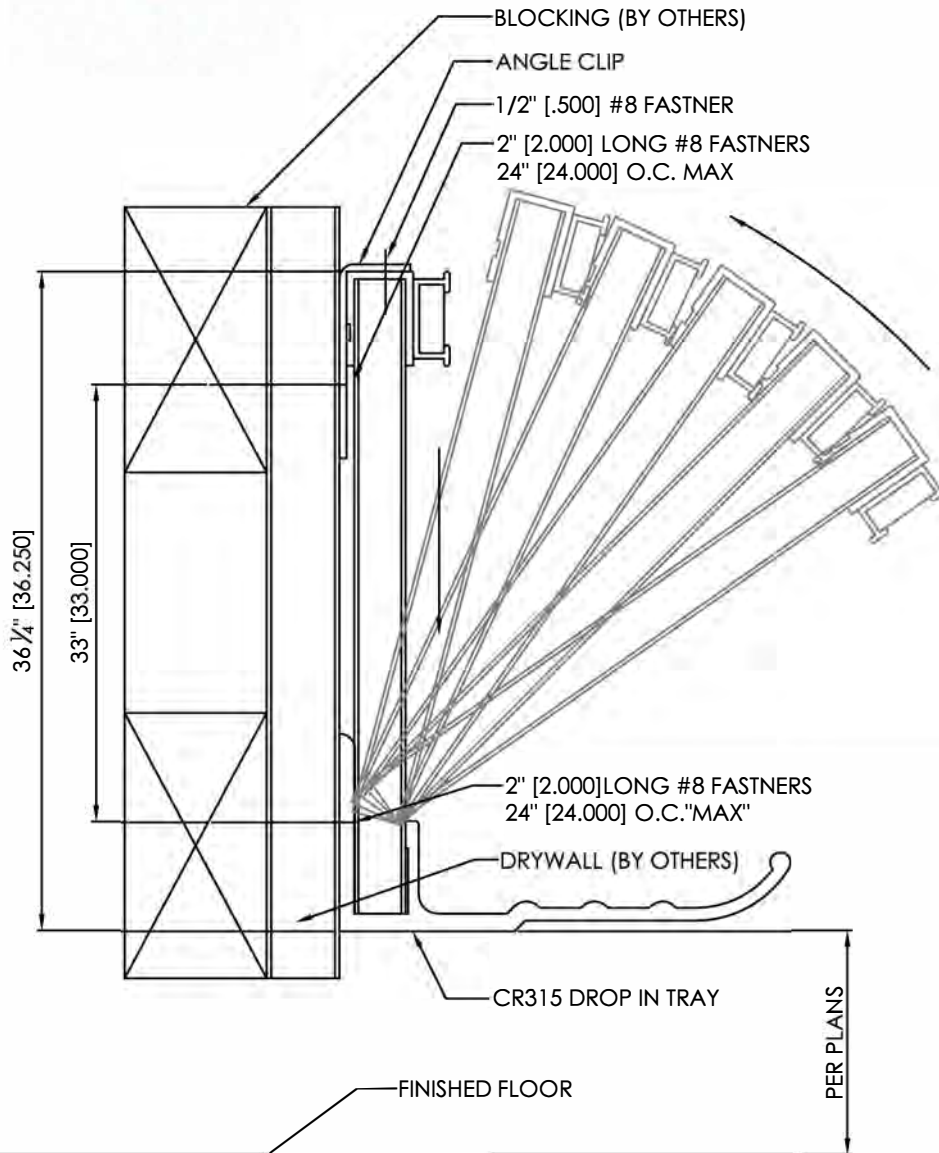
DTS / INSTALLATION INSTRUCTIONS: CHALK/MARKERBOARD INSTALLATION

DTS DROP IN TRAY SYSTEM / INSTALLATION INSTRUCTIONS:

10. MOUNTING BOARD TO WALL: A) APPLY MANUFACTURER ADHESIVE TO BACK OF BOARD USING DOBBING OR BEADING METHOD. NOTE: DEPENDING ON THE WALL AND FIELD CONDITIONS THE ABOVE STEP MAY NOT BE NECESSARY. IF THIS IS THE CASE AND OR THE CONDITIONS ARE NOT CLEAR TO YOU, CONTACT THE MANUFACTURER IMMEDIATELY.

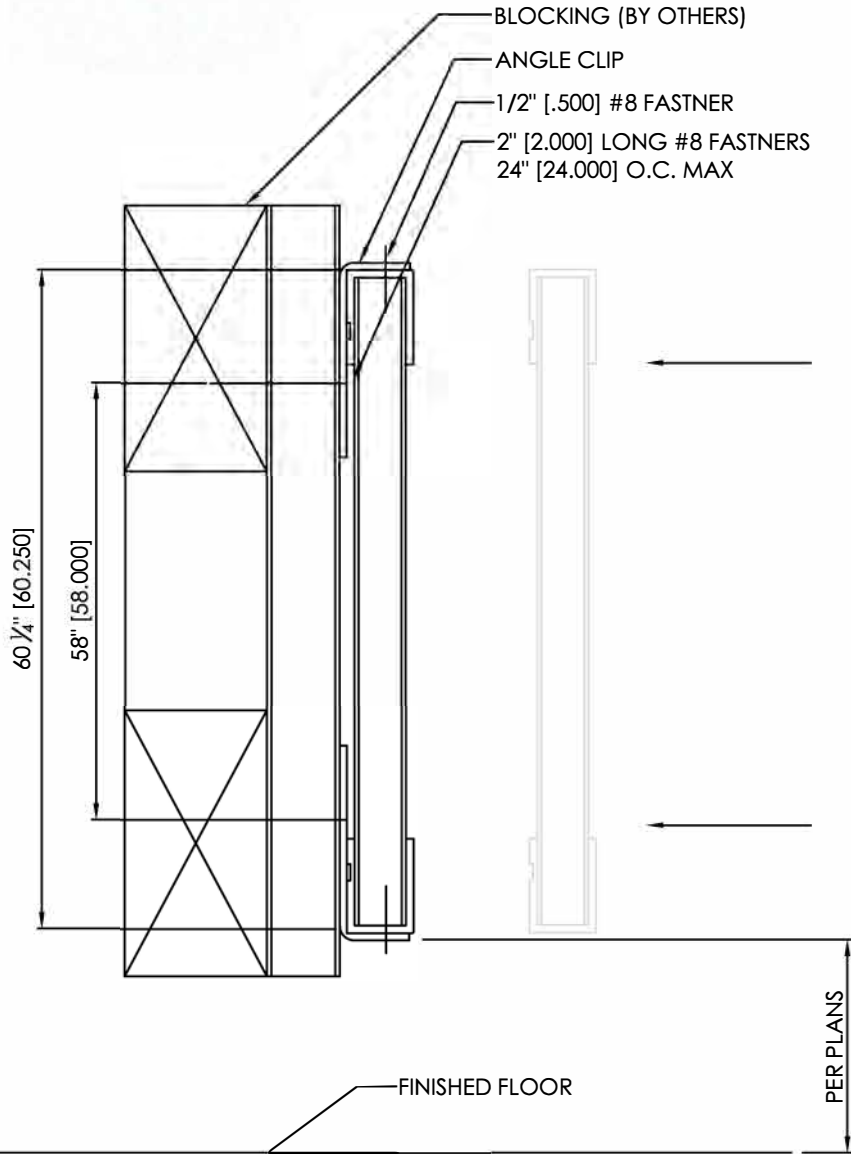
11. INSERTING PANEL INTO CR315 TRAY: A) PUSH TOP OF PANEL AGAINST WALL, DEPENDING ON THE SIZE AND OR CONFIGURATION OF BOARD THIS STEP MAY REQUIRE THE NEED FOR ADDITIONAL MANPOWER. B) BEGINNING AT EITHER SIDE OF BOARD, PUSH MOUNTING CLIP DOWNWARD UNTIL IT TOUCHES TRIM ONM TOP OF BOARD AND FASTEN WITH $\frac{5}{8}$ " TRUSS HEAD SCREW SUPPLIED BY MANUFACTURER.C) REPEAT ABOVE STEP FOR ALL REMAINING MOUNTING CLIPS.

12. PREPARE BOARD FOR USE: BLOW OFF ANY DUST OR DEBRIS FROM INSTALLATION AND CLEAN SURFACE OF MARKERBOARD AS NEEDED TO A READY FOR USE CONDITION.



FASTENER SIZE PER MANUFACTURER RECOMMENDATION
#8 FASTENER IS SUFFICIENT.

(PAGE 4 OF 10)



DTS / INSTALLATION INSTRUCTIONS: TACKBOARD INSTALLATION

DTS INSTALLATION INSTRUCTIONS:

1. DISTRIBUTE BOARDS TO THEIR SPECIFIED LOCATIONS.
2. DETERMINE LOCATION AND MOUNTING HEIGHT ABOVE FINISH FLOOR.
3. LOCATE SPECIFIED AREA ON WALL FOR BOARD LOCATION. DETERMINE LOCATION AND MOUNTING HEIGHT ABOVE FINISH FLOOR. LOCATE SPECIFIED AREA IN WALL FOR BOARD LOCATION. ESTABLISH HORIZONTAL LOCATION OF BOARD. USING EITHER SIDE OF BOARD LOCATION AS A STARTING POINT (RIGHT OR LEFT), MEASURE UP FROM FLOOR IN ACCORDANCE WITH SPECIFIED MOUNTING HEIGHT AND MARK WALL. (THIS IS DONE ONLY TO GAIN A ROUGH ESTIMATE MOUNTING HEIGHT. MEASURE DOWN FROM CEILING TO THE SAME POINT AND MARK WALL TO ESTABLISH ACCURATE MOUNTING HEIGHT. (THIS STEP IS NECESSARY AS FLOOR IS NOT ALWAYS LEVEL. WITH ACCURATE STARTING POINT ESTABLISH, MEASURE UP 3 1/2" AND MARK WALL. THIS MARK WILL REPRESENT LANDMARK FOR LEVEL LINE TO BE USE AS A GUIDE DURING INSTALLATION OF L-CLIP. WITH BOARD WIDTH IN MIND, REPEAT PREVIOUS STEP ON OPPOSITE SIDE OF BOARD LOCATION. SNAP CHALK LINE FROM BOTH POINTS ESTABLISHED AND CHECK LINE FOR LEVEL. IF LINE IS LEVEL PROCEED.
4. INSTALLING TOP L-CLIPS TO THE WALL. USING A "STUD FINDER" OR OTHER AVAILABLE MEANS LOCATE STUDS ALONG LEVEL LINE. MARK LOCATION OF STUDS ON LEVEL LINE. MAKE MARKS LONG ENOUGH AS YOU USE THESE MARKS VISUALLY TO ACCURACY TRANSFER LOCATIONS TO L-CLIP. PLACE THE L-CLIP ON WALL AND TRANSFER ALL STUD LOCATIONS TO THE REST OF L-CLIPS. PLACE L-CLIP BACK ON WALL, MOUNT SECURELY TO STUDS ENSURING AT LEAST 1" STUD PENETRATION.
5. PREPARE BOARD FOR USE: BLOW OFF ANY DUST OR DEBRIS FROM INSTALLATION AND CLEAN SURFACE OR TACKBOARD AS NEEDED TO A READY FOR USE CONDITION.

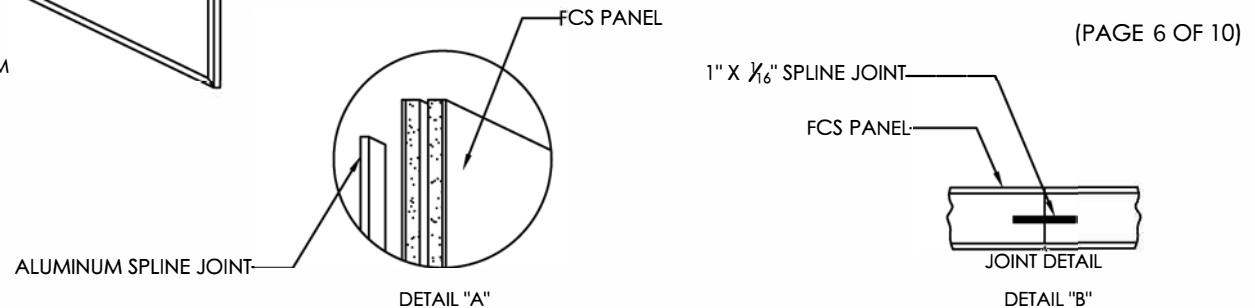
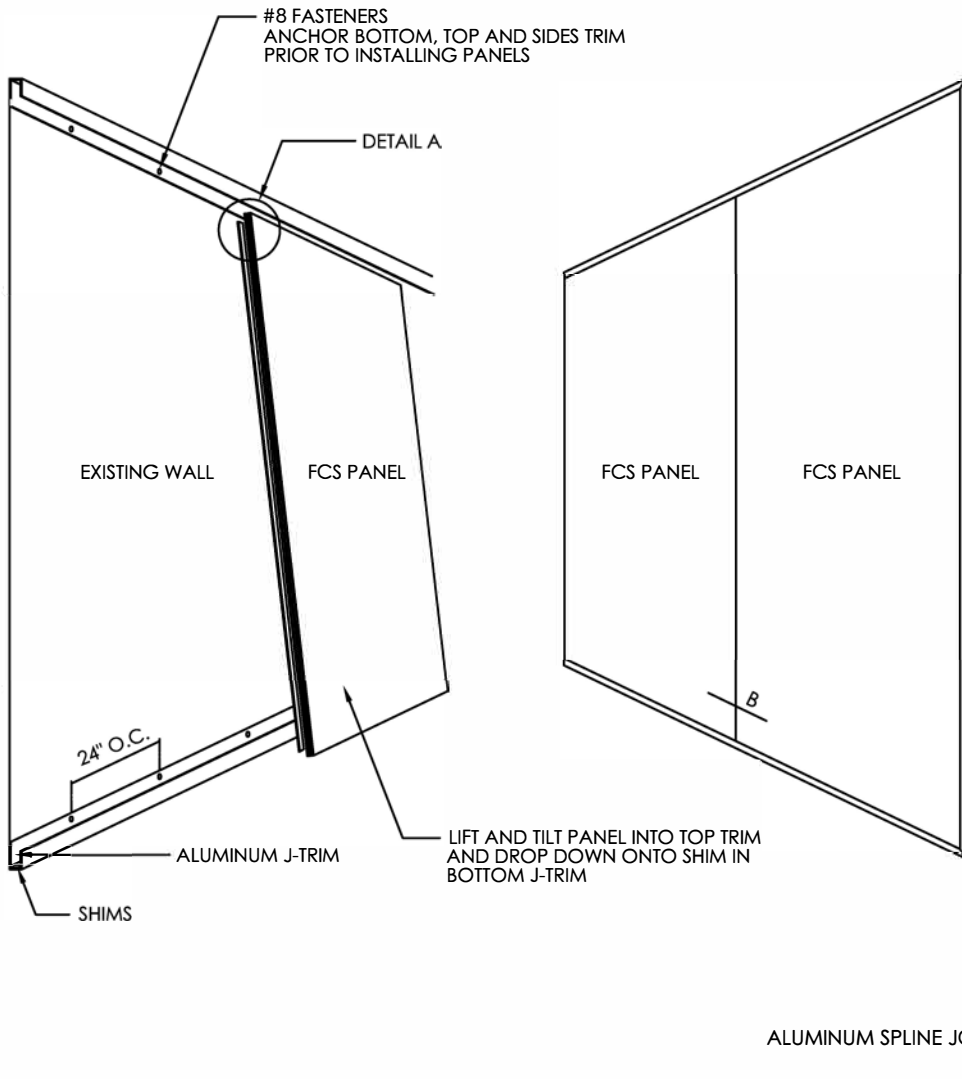
FASTENER SIZE PER MANUFACTURER RECOMMENDATION
#8 FASTENER IS SUFFICIENT.

(PAGE 5 OF 10)

FCS / INSTALLATION INSTRUCTIONS: FLOOR TO CEILING PANELS INSTALLATION

FCS W/J-TRIM / INSTALLATION INSTRUCTIONS:

1. OPEN CRATE VERIFY NUMBER OF PANELS ARE CORRECT CRATE SHOULD INCLUDE ALUMINUM J-TRIM.
2. ANCHOR BOTTOM, TOP AND SIDES TRIM BEFORE INSTALLING PANELS.
3. ALL ALUMINUM TRIM SHOULD BE ANCHORED WITH # 8 FASTENERS @ 24" O.C. - BOTTOM TRIM MUST BE ATTACHED TO BACKING OR STUDS BEHIND WALL SURFACE.
4. USE ADHESIVE TUBES ON THE BACK PANELS BY USING DOBBS OF ADHESIVE EVENLY SPREAD.
5. PLACE SHIMS INTO BOTTOM TRIM. (SHIMS ARE NECESSARY TO HOLD PANELS OFF BOTTOM TRIM, THIS WILL ALLOW TOP TRIM TO CONCEAL TOP EDGE OF PANEL).
6. LIFT PANEL UP INTO TOP TRIM AND AND PUSH FLAT AGAINST WALL. GENTLY LOWER THE PANEL INTO THE BOTTOM CHANNEL.(THE SHIMS PLACED INTO BOTTOM TRIM IN STEP FIVE WILL HOLD PANEL UP IN THE PROPER FLOATED POSITION).
7. INSERT ALUMINUM SPLINE JOINT AT THE END OF PANEL AND PROCEED TO SLIDE IN SECOND PANEL INTO POSITION.
8. INSPECT JOINTS AND MAKE SURE THEY ARE TIGHT. IF GAP EXCEEDS $\frac{1}{16}$ " [.0625] MOVE PANEL BACK AND CHECK FOR ANY DEBRIS IN BETWEEN PANELS AND REMOVE IT. AND SLIDE PANEL BACK INTO POSITION UNTIL THE PANEL HAS BEEN PROPERLY INSTALLED.
9. REPEAT PROCEDURE UNTIL RUN OF PANELS IS COMPLETED
10. CLOSE RUN BY INSTALLING THE VERTICAL ALUMINUM J-TRIM WITH MITER CORNER.

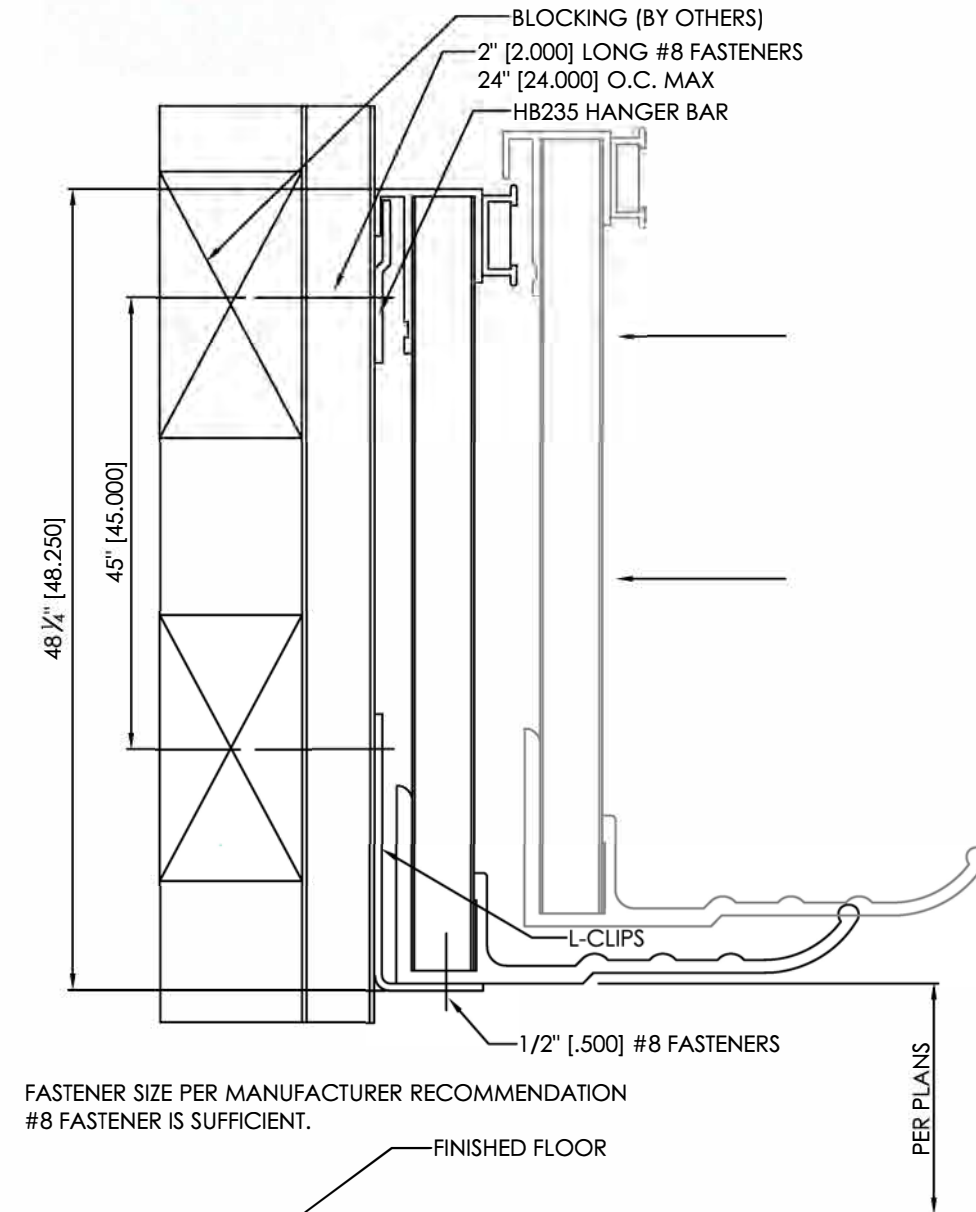


(PAGE 6 OF 10)

NTS / INSTALLATION INSTRUCTIONS: CHALK/MARKERBOARD INSTALLATION

NTS HANGER BAR TRIM SYSTEM / INSTALLATION INSTRUCTIONS:

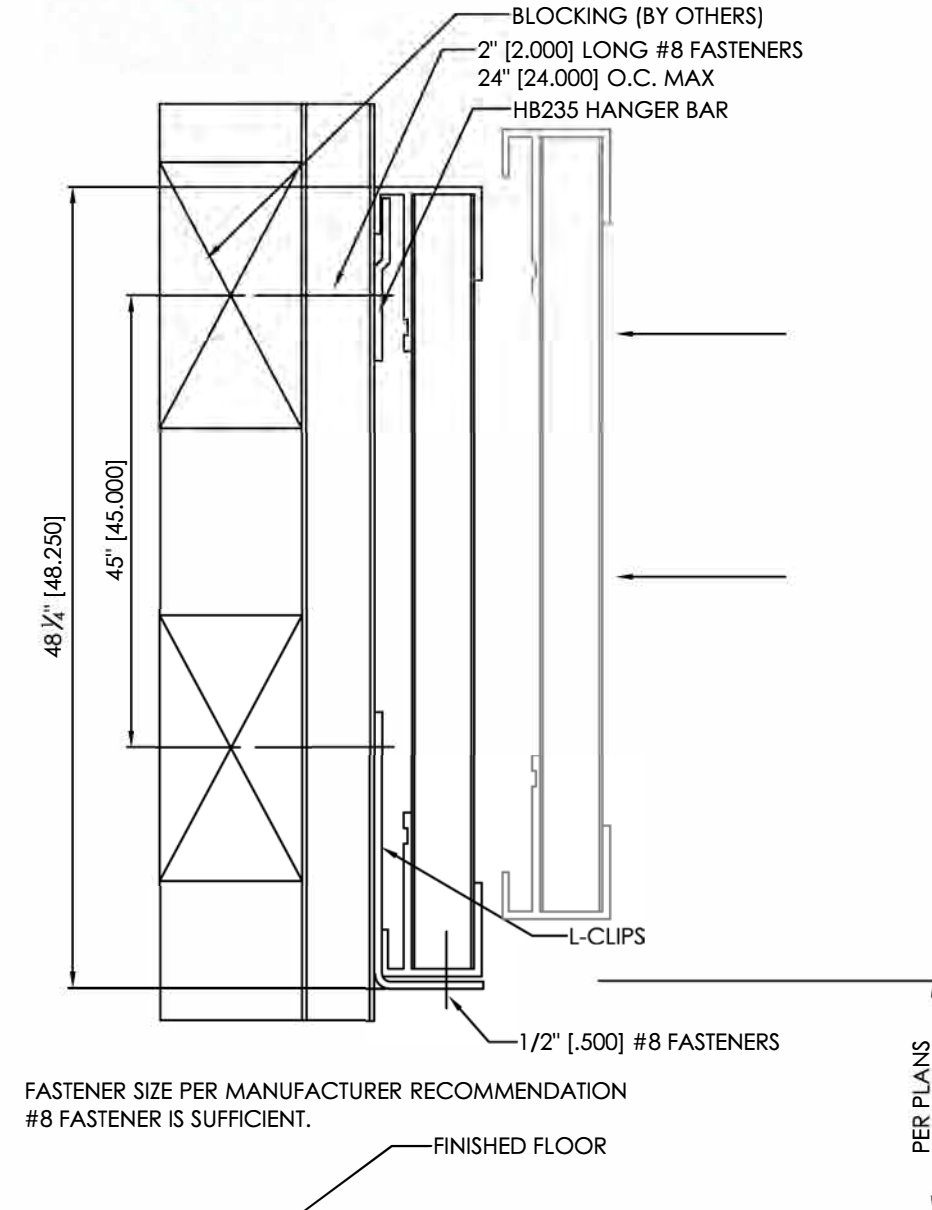
1. DISTRIBUTE BOARDS TO THEIR SPECIFIED LOCATIONS.
2. DETERMINE LOCATION AND MOUNTING HEIGHT ABOVE FINISH FLOOR.
3. LOCATE STUDS ALONG LEVEL LINE.
4. PLACE HB235 HANGER BAR ON WALL AND TRANSFER ALL STUD LOCATION ONTO HANGER BAR FOR ACCURATE POSITIONING OF THE HB235 HANGER BAR.
5. REMOVE HANGER BAR FROM WALL, DRILL & COUNTERSINK A $\varnothing \frac{3}{16}$ " [.1875] HOLE AT EACH LOCATION.
6. ENSURING AT LEAST 1" STUD PENETRATION, PLACE HANGER BAR BACK ON WALL AND MOUNT SECURELY TO STUDS.
7. ATTACH ONE BOTTOM-MOUNTING CLIP WITH A $\frac{5}{8}$ " [.625] TECH SCREW PROVIDED. USE A CLAW HAMMER AND TAP DOWN BOTTOM CLIP UPWARD UNTIL IT TOUCHES TRAY ON BOTTOM OF BOARD. PLACE TOP OF PANEL ONTO HANGER BAR. DEPENDING ON SIZE AND OR CONFIGURATION OF BOARD, THIS STEP MAY REQUIRE THE NEED FOR ADDITIONAL MANPOWER.
8. PUSH BOTTOM OF PANEL AGAINST THE WALL.
9. FASTEN WITH $\frac{5}{8}$ " [.625] TECH SCREW PROVIDED.
10. REPEAT ABOVE STEP FOR ALL REMAINING MOUNTING CLIPS.
11. PREPARING BOARD FOR USE: WIPE OFF ANY DUST OR DEBRIS FROM SHIPPING OR INSTALLATION.
12. CLEAN SURFACE OF MARKER/CHALK BOARD AS NEEDED TO A READY FOR USE CONDITION. ANY HOUSEHOLD GRADE GLASS CLEANER OR SURFACE CLEANER SHOULD BE SUFFICIENT.



NTS / INSTALLATION INSTRUCTIONS: TACKBOARD INSTALLATION

NTS HANGER BAR TRIM SYSTEM / INSTALLATION INSTRUCTIONS:

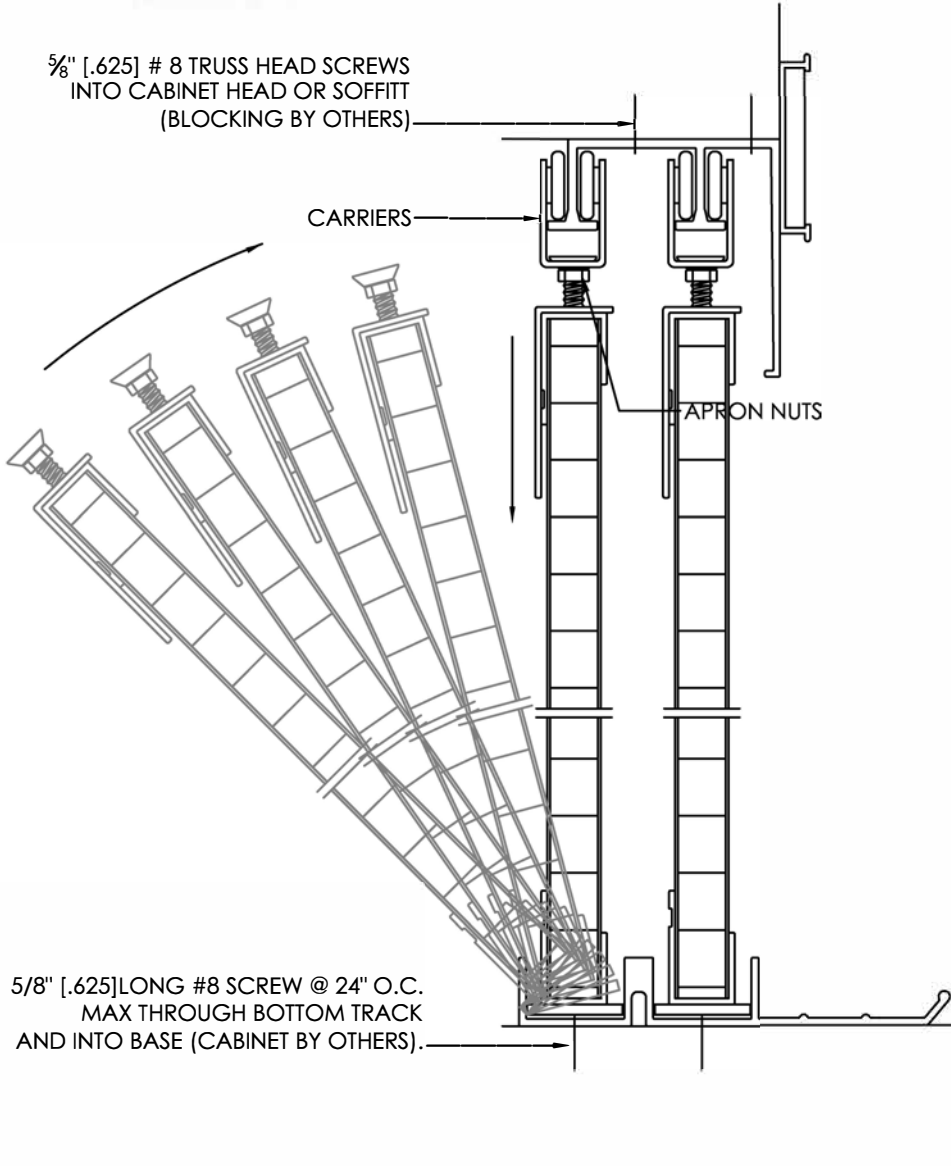
1. DISTRIBUTE BOARDS TO THEIR SPECIFIED LOCATIONS.
2. DETERMINE LOCATION AND MOUNTING HEIGHT ABOVE FINISH FLOOR.
3. LOCATE STUDS ALONG LEVEL LINE.
4. PLACE HB235 HANGER BAR ON WALL AND TRANSFER ALL STUD LOCATION ONTO HANGER BAR FOR ACCURATE POSITIONING OF THE HB235 HANGER BAR.
5. REMOVE HANGER BAR FROM WALL, DRILL & COUNTERSINK A $\varnothing \frac{3}{16}$ " [.1875] HOLE AT EACH LOCATION.
6. ENSURING AT LEAST 1" STUD PENETRATION, PLACE HANGER BAR BACK ON WALL AND MOUNT SECURELY TO STUDS.
7. ATTACH ONE BOTTOM-MOUNTING CLIP WITH A $\frac{5}{8}$ " [.625] TECH SCREW PROVIDED. USE A CLAW HAMMER AND TAP DOWN BOTTOM CLIP UPWARD UNTIL IT TOUCHES TRIM ON BOTTOM OF BOARD. PLACE TOP OF PANEL ONTO HANGER BAR. DEPENDING ON SIZE AND OR CONFIGURATION OF BOARD, THIS STEP MAY REQUIRE THE NEED FOR ADDITIONAL MANPOWER.
8. PUSH BOTTOM OF PANEL AGAINST THE WALL.
9. FASTEN WITH $\frac{5}{8}$ " [.625] TECH SCREW PROVIDED.
10. REPEAT ABOVE STEP FOR ALL REMAINING MOUNTING CLIPS.
11. PREPARING BOARD FOR USE: WIPE OFF ANY DUST OR DEBRIS FROM SHIPPING OR INSTALLATION.
12. CLEAN SURFACE OF MARKER/CHALK BOARD AS NEEDED TO A READY FOR USE CONDITION. ANY HOUSEHOLD GRADE GLASS CLEANER OR SURFACE CLEANER SHOULD BE SUFFICIENT.





THS / INSTALLATION INSTRUCTIONS: MARKERBOARD/TACKBOARD INSTALLATION

THS DROP IN TRAY SYSTEM / INSTALLATION INSTRUCTIONS:



1. FIELD MEASURE TO CONFIRM PROPER UNIT SIZES.

2. DELIVER FACTORY BUILT UNITS TO JOBSITE.

3. DISTRIBUTE UNITS TO THEIR SPECIFIED LOCATIONS.

4. BEING INSTALLATION OF UNITS AT SPECIFIED LOCATIONS.

LAYOUT PROPER POSITION OF TOP TRACKS IN CABINET AS SPECIFIED. (SPECIFIED POSITION AND NUMBER OF TRACKS MAY VARY ACCORDING TO ARCHITECT, G.C. OR FIELD CONDITIONS. STARTING AT TOP OF CABINET, MEASURE $1 \frac{3}{8}$ " [1.1875] FROM THE EDGE AND MAKE A MARK. THIS LANDMARK REPRESENTS THE CENTER OF THE FRONT TRACK. AT THE SAME LOCATION, MEASURE FROM THE CABINET TO MARK JUST MADE. THIS DIMENSION WILL BE USED TO ALIGN BOTH TRACK VERTICALLY. USING THE DIMENSION JUST ESTABLISHED, MEASURE FROM BACK TO FRONT ON BOTTOM OF CABINET AND MAKE A MARK. THIS LANDMARK WILL BE USED TO LINE UP BOTTOM TRACK. REPEAT FOR THE OTHER SIDE OF CABINET.

5. INSTALL TOP TRACK: DEPENDING ON THE SIZE OF TRACK, THIS MAY REQUIRE THE NEED FOR ADDITIONAL MANPOWER. PLACE TOP TRACK ON A FLAT SURFACE AND INSTALL GRANT CARRIERS IN A TRACK. INSTALL ACCESSORIES AT THIS TIME, WITH ALL CARRIERS AND ACCESSORIES INSTALLED, HOLD TOP TRACK ON CENTER MARK, FASTEN WITH $\frac{5}{8}$ " [.625] TRUSS HEAD SCREWS PROVIDED.

6. INSTALL BOTTOM TRACK: LINE UP CENTER LANDMARK MADE ON CABINET AND FASTEN SECURELY WITH $\frac{5}{8}$ " [.625] FLAT HEAD SCREWS PROVIDED.

7. INSTALL SLIDING PANELS: TURN APRON NUTS DOWN ON ALL SLIDING PANELS. STARTING AT BACK TRACK, LINE UP GRANT CARRIERS IN CLOSEST PROXIMITY WITH APRON POSITION AT TOP SLIDING PANEL AND PLACE BOTTOM OF SLIDING PANEL INTO BOTTOM OF BACK TRACK. LIFT EITHER SIDE OF SLIDING PANEL UP AND CONNECT APRON TO CARRIER. LIFT OTHER SIDE OF SLIDING PANEL UP TO CONNECT APRON TO CARRIER. TURN APRON NUTS UPWARD AGAINST BOTTOM OF CARRIER. (REPEAT FOR ALL REMAINING SLIDING PANELS. NOTE: ALL PANELS IN BACK TRACK MUST BE INSTALLED FIRST.

TWP / INSTALLATION INSTRUCTIONS: TACKABLE PANELS INSTALLATION

TWP W/J-TRIM / INSTALLATION INSTRUCTIONS:

1. OPEN CRATE VERIFY NUMBER OF PANELS ARE CORRECT OPTIONAL ALUMINUM J-TRIM.
2. ANCHOR BOTTOM, TOP AND SIDES TRIM BEFORE INSTALLING PANELS.
3. ALL ALUMINUM TRIM SHOULD BE ANCHOR WITH # 8 FASTNERS @ 24" O.C.
4. APPLY EGG SIZE BOGS ADHESIVE ON BACK OF PANEL AS SHOWN AND INSERT PANEL INSIDE J-TRIM.
5. INSPECT JOINTS AND MAKE SURE THEY ARE TIGHT. IF GAP EXCEEDS $\frac{1}{16}$ " [.0625] MOVE PANEL BACK AND CHECK FOR ANY DEBRIS IN BETWEEN PANELS AND REMOVE IT. AND SLIDE PANEL BACK INTO POSITION UNTIL THE PANEL HAS BEEN PROPERLY INSTALLED.
6. REPEAT PROCEDURE UNTIL RUN OF PANELS IS COMPLETED
7. CLOSE RUN BY INSTALLING THE VERTICAL ALUMINUM J-TRIM WITH MITER CORNER.

ATTACHMENT DETAIL

